

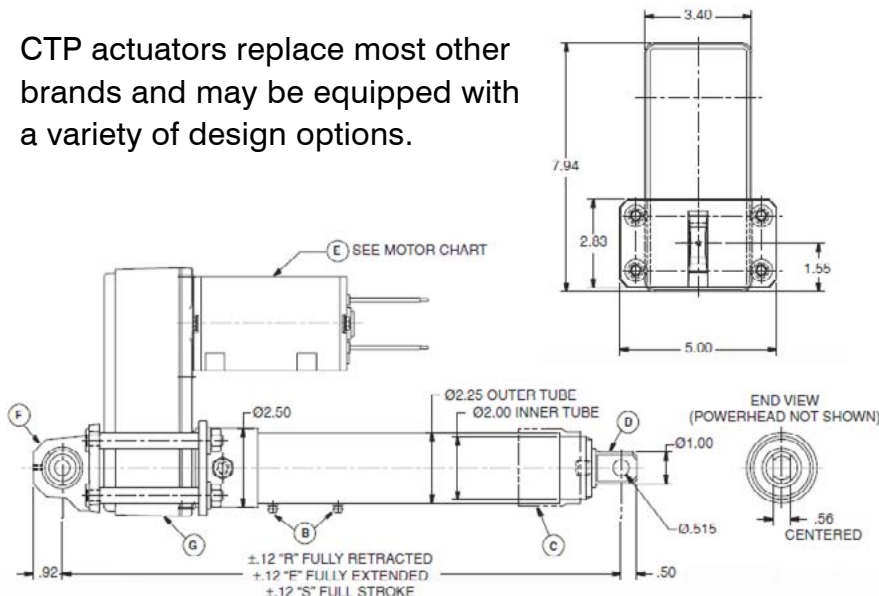


CTP Linear Actuators

CTP linear Actuators feature:

- ✓ Die-cast aluminum power heads available in several gear ratios able to handle loads up to 4000 lbs.
- ✓ Motor voltages include 12, 24, 36 Volt DC or 110 and 220 volt AC.
- ✓ Acme and ball screws are available.
- ✓ Dynamic load capacity of 3000 lbs.
- ✓ Static load capacity 5000 lbs.
- ✓ Temperature Range: 90°C, 194°F Maximum to -35°C, -30°F Minimum.

CTP actuators replace most other brands and may be equipped with a variety of design options.



CTP linear Actuators -

Part No.	Application
3058958	950H, 962H, 966H, 972H,
3082073	980C

Other Linear Actuator Parts also Available:

Part No.	Application
2624918	POWERHEAD AS. - ACTUATOR
1171559	MOUNT AS. - ACTUATOR
1224233	WIPER - ACTUATOR
1682166	GASKET-MOTOR ACTUATOR
2036470	GASKET KIT - ACTUATOR
2036473	GASKET - ACTUATOR
2056029	MOTOR AS. - ACTUATOR
2126854	ROD END - ACTUATOR
2624917	POST AS. - ACTUATOR
2780644	GASKET - ACTUATOR
3058966	POWERHEAD AS. - ACTUATOR
3058969	POST AS. - ACTUATOR
3082071	ROD END - ACTUATOR

* Other part no. not included in the list are available. Please contact your sales representative if you have any questions. Part Numbers are used for reference purposes only